



Product Change Notification

Product:	BNC Bulkhead Jack rated to IP67 / 68 to I-PEX MHF Plug
Originator:	Paul Hulatt
PCN Number:	PC-CABLE 272-1.6

Part Numbers Concerned:	CABLE 272
Issue Date:	12 TH July 2023
Pages:	1

Background and Nature of change

RG174 cable is no longer offered with this assembly. As it is no longer commercially viable.

Series numbers concerned

CABLE 272 - All lengths and orientations.

Implementation Date

With immediate effect

Impact:

Other cable choices are available:

- 2 = RG178 Cable, Colour: Brown
- 3 = 1.13mm Diameter Cable, Colour: Grey
- 4 = 1.32mm Diameter Cable, Colour Grey

Further Information:

Alternative cable specifications can be found here :

<https://www.gradconn.com/Files/Specs/GradConn-Coaxial-Cables-Product-Spec-Sheet.pdf>

Contact details:

Web : www.gradconn.com

E-mail : sales@gradconn.com

CABLE 272 RF: 1-PEX MHF PLUG + BNC STRAIGHT BULKHEAD JACK WITH O-RING RATED TO IP67/68 + MULTIPLE CABLE SIZES

SPECIFICATIONS:

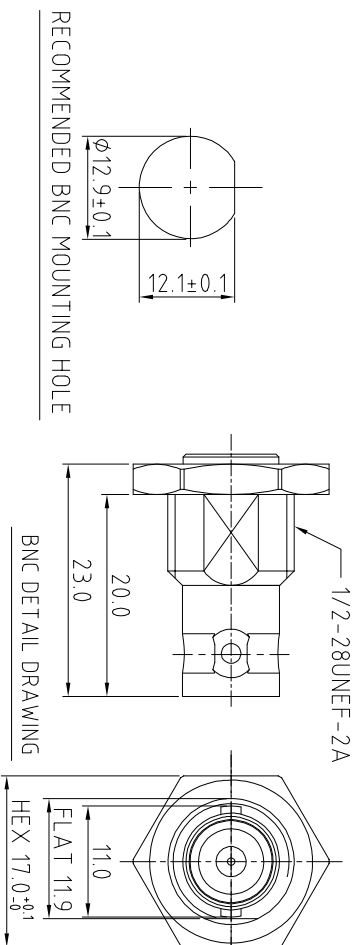
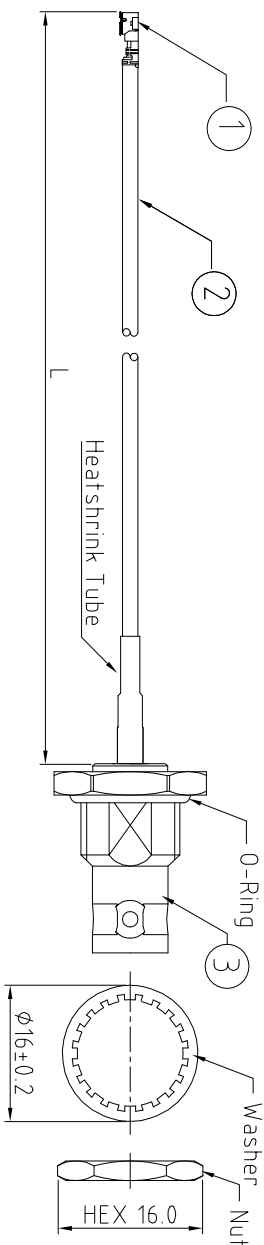
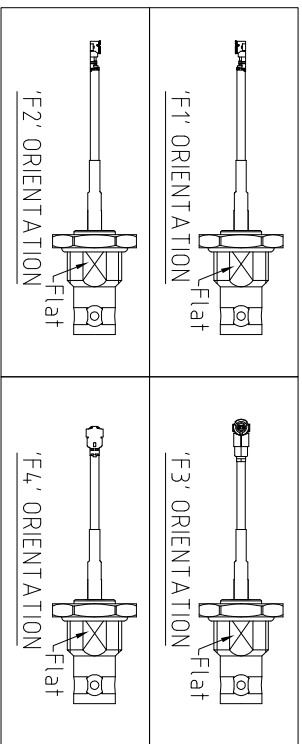
1. IPEX MHF PLUG, P/N: FOR RGT78 CABLE: 20278-112R-18, FOR ϕ 1.13MM CABLE: 20278-112R-13, FOR ϕ 1.32 DS CABLE: 20278-112R-32.
2. COAXIAL CABLE, SEE P/N OPTIONS FOR DETAIL.
3. BNC STRAIGHT BULKHEAD JACK WITH O-RING RATED TO IP67/68, P/N: FOR RGT78, ϕ 1.13MM, ϕ 1.32MM DS CABLE: RFT-BNC006-F78.

ENVIRONMENTAL:

- A. BULKHEAD MOUNTED CONNECTOR (RFT-BNC006-F78) TESTED TO THE FOLLOWING SPECIFICATION:
 - i. IP6X - DUST TIGHT - NO PARTICLE INGRESS.
 - ii. IPX7 WATERPROOF FOR 30 MINUTES UP TO 1 METER UNDERWATER.
 - iii. IPX8 WATERPROOF FOR 48 HOURS AT 1 METER UNDERWATER.
 - iv. IPX8 WATERPROOF FOR 12 HOURS AT 5 METERS UNDERWATER.
 - v. PRESSURE TEST - 1 BAR FOR 10 SECONDS.

NOTES:

1. THE ORIENTATION OF CONNECTORS ON DRAWING IS FOR REFERENCE ONLY, IF THE ORDER IS LEFT BLANK THE CONNECTOR WILL NOT HAVE FIXED ORIENTATION.
2. FIXED ORIENTATION IS SUGGESTED FOR CABLE LENGTH 25MM TO 100MM.
- PLEASE SPECIFY THE FIXED ORIENTATIONS FROM THE ORDER CODE (F1, F2, ETC)
3. CONTACT GRAD CONN IF THE ORIENTATION YOU REQUIRE IS NOT SHOWN.
4. WORKING FREQUENCY RANGE: DC-3GHz
5. OPERATING TEMPERATURE: -40°C TO +85°C.
6. IMPEDANCE: 50 OHM.



HOW TO ORDER

CABLE 272 RF - X X X X - X X - X

"L" LENGTH IN MM
 eg: 100MM = 0100
 (MIN. = 0050, MAX. = 2000, STANDARD = 0100, 0150, 0200)
 Tolerance: 50-200mm: ±5mm.
 201-500mm: ±7mm.
 >500mm: ±10mm.

- CABLE SIZE OPTIONS:
- 2 = RG178 CABLE, COLOR: BROWN
 - 3 = ϕ 1.13MM CABLE, COLOR: GRAY
 - 4 = ϕ 1.32MM DS CABLE, COLOR: GRAY

O-RING, WASHER AND NUT OPTIONS:
 BLANK = SEPARATELY PACKED (STANDARD)
 A = ASSEMBLED WITH CONNECTOR

ORIENTATION OPTIONS:
 BLANK = DOES NOT HAVE A FIXED ORIENTATION
 F1 = MHF CONNECTION DOWN (L=25-200MM)
 F2 = MHF CONNECTION UP (L=25-200MM)
 F3 = MHF CONNECTION SAME AS BNC D-FLAT (L=25-200MM)
 F4 = MHF CONNECTION OPPOSITE TO BNC D-FLAT (L=25-200MM)
 (SEE NOTES 1, 2, 3 AND DIAGRAMS FOR MORE INFORMATION)

REV.	DATE & DRN
10	19/05/17 - NYW RELEASE
11	28/01/19 - NYW ADD CABLE SIZE 2 OPTION.
12	27/05/19 - NYW ADD OPERATING TEMP..
13	26/09/19 - NYW ADD 113 CABLE OPTION. ADD F3 & F4 ORIENTATION.
14	22/10/19 - NYW ADD 132 DS CABLE OPTION. ADD NOTE 6.
15	24/07/20 - NYW AMEND OPERATING TEMP..
16	07/07/23 - NYW REMOVE RGT74 CABLE OPTION.

Scale:	NTS	THIRD ANGLE	Unrated	Tolerances:
Drawn:	NYW		X XX XXX	N/A N/A N/A
App'd:	XXX	Title	CABLE ASSEMBLY	ANGLES
Date:	7 JUL. 23	Revision:	16	Unit:
				mm

IP67/68 Rated Cables

www.gradconn.com

THIS DRAWING IS CONFIDENTIAL AND MUST NOT BE COPIED OR DISCLOSED WITHOUT WRITTEN CONSENT

Type:	Cable 272 RF
Drawing Number:	CABLE 272 RF
Sheet	1 of 1
Drawing	E and O E